



## FULL MOTION TV WALL MOUNT

Installation Guide

**MODEL: MTTVMT47-100**

# Welcome

Premium connectivity that fuels modern lifestyle and empowers innovation.

A better everyday experience through amazing products.

The installation guide will provide everything you need to know about using your new product. All our products are produced and tested to stringent standards of performance and safety, and are pleased to provide a 2 Year Warranty with your purchase.

We hope you enjoy your purchase.



# General Safety Warnings

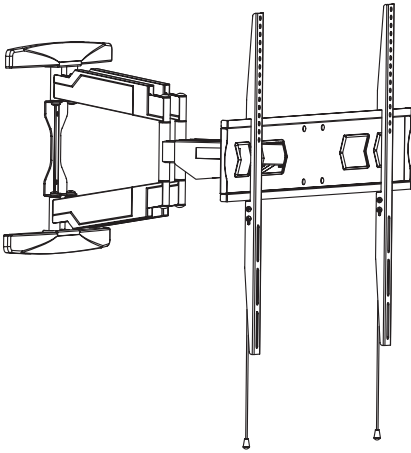
Read this guide thoroughly before installing the TV Wall Mount to ensure your personal and other people's safety and to avoid any property loss.

If you do not understand these directions, or have any questions in relation to the safety of the installation, we recommend you contact a qualified professional. For all other general inquiries, please contact the after sales support line on 1300 886 649.

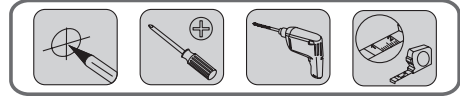
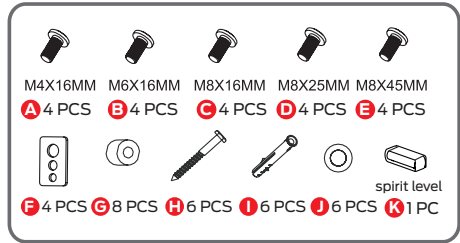
- Before installation, check carefully to ensure that there are no missing or defective parts. All parts are listed and illustrated on the installation guide.
- Never use defective parts. Our customer service representatives can quickly assist you with installation questions and replacement for missing or defective parts.
- Do not use this product for any purpose that is not explicitly specified in this guide.
- Improper installation may cause damage or serious injury.
- We assume no liability for any eventual damage or injury caused by incorrect mounting, incorrect assembly or incorrect use.
- This product is not intended for use by persons (including children) with reduced physical, sensory or mental capabilities, unless they have been given supervision or instruction by a person responsible for their safety.
- This is not a toy. Keep the TV Wall Mount away from infants and children. Young children should be supervised to ensure they do not play with the product.
- Mount the wall plate far away from any water source and direct sunlight.
- Be aware of the health hazard associated with asbestos fibres potentially present in the wall structure when drilling.
- **WARNING:** Choose a structurally sound wall area that is strong enough to hold the weight of the TV as well as the wall mount.
- **WARNING:** DO NOT attach the wall mount to a hollow wall or decorative room divider.
- **NOTE:** This wall mount is for indoor home use only.
- Only use this TV Wall Mount in accordance with the technical specifications below:

VESA Support:	Max. 800 x 600mm
Size of flat panel TV:	47-100"
Maximum load:	60kg
Tilt angle:	-8° to 12°

# Installation



## Installation Pack:



Tools required: pencil, Philips head screwdriver, power drill, measuring tape

Make sure you read and understand all instructions. Handle and use all materials strictly according to the instructions. If you do not understand these directions, or have any questions in relation to the safety of the installation, we recommend you contact a qualified professional.

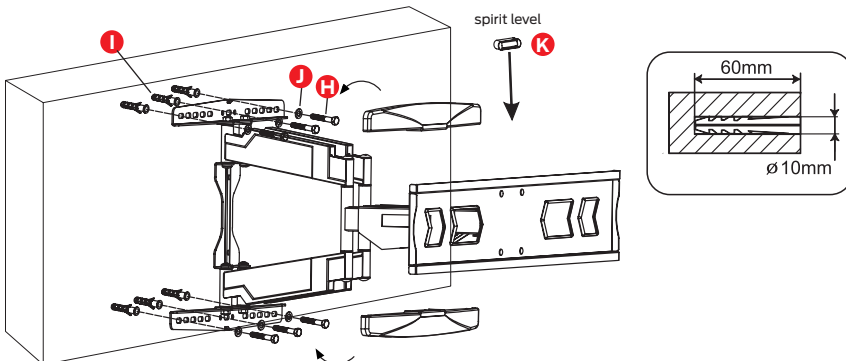
TIP: Installation of the Wall Mount will be easier with two people.

**WARNING:** Be sure to choose a structurally sound wall area that is strong enough to hold the weight of the TV as well as the wall mount. Mount the wall plate far away from any water source and direct sunlight.

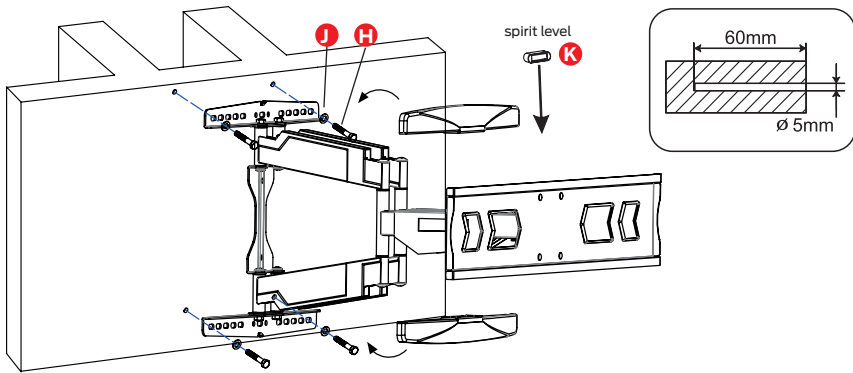
**WARNING:** DO NOT attach the wall mount to a hollow wall or decorative cardboard.

**WARNING:** Please pay attention to the electrical lines and also the location of gas and water lines when drilling holes.

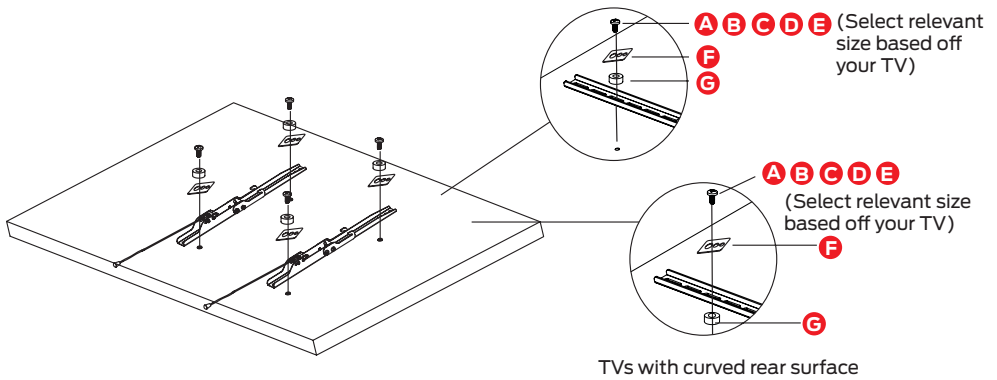
## 1A. MOUNTING TO BRICK OR CONCRETE WALL



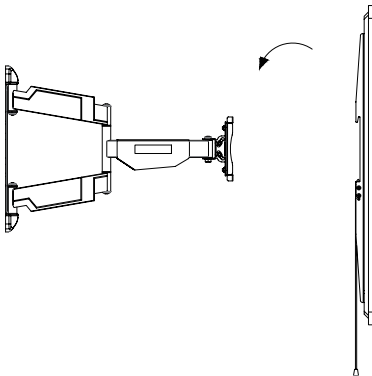
## 1B. MOUNTING TO WOOD STUD WALL



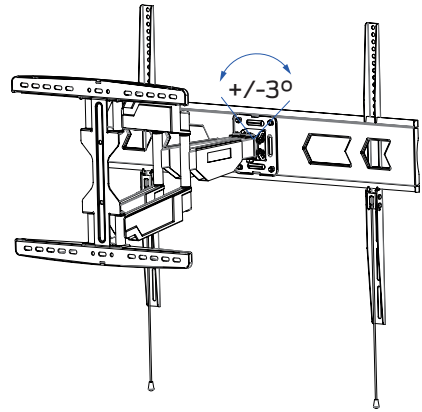
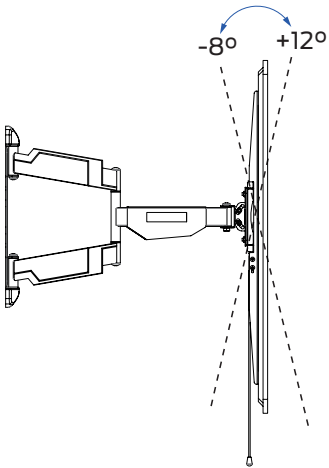
## 2. ATTACHING THE MOUNTING BRACKETS



## 3. HANGING THE TV ONTO THE BRACKET



## 4. TILT AND LEVEL ADJUSTMENT



## Specifications

VESA Support	Max. 800 x 600mm
Maximum Load	60kg
Tilt Angle	$-8^\circ$ to $12^\circ$
Size of flat panel TV	47" - 100"

### For Technical and Warranty Support

1300 886 649

[monster@tempo.org](mailto:monster@tempo.org)

[monsterproducts.com.au](http://monsterproducts.com.au)

Distributed by Tempo (Aust) Pty Ltd,  
PO Box 132, Frenchs Forest NSW 1640

# Responsible Disposal

## Packaging

The packaging of your product has been selected from environmentally friendly materials and can usually be recycled. Please ensure these are disposed of correctly. Plastic wrapping can be a suffocation hazard for babies and young children, please ensure all packaging materials are out of reach and are safely disposed of. Please recycle these materials rather than throwing them away.

## Product

At the end of its working life, do not throw this product out with your household rubbish. An environmentally friendly method of disposal will ensure that valuable raw materials can be recycled. Electrical and electronic items contain materials and substances which, if handled or disposed of incorrectly, could potentially be hazardous to the environment and human health.

 **MONSTER**™