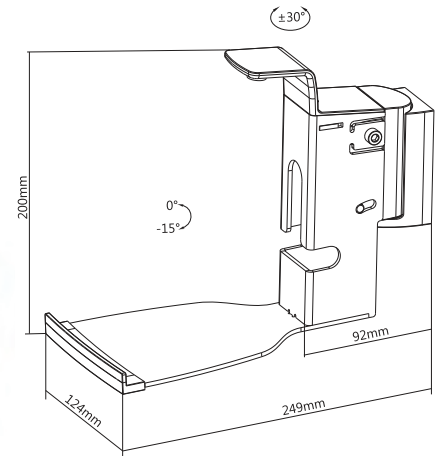


**SONOS® Five Play: 5
WALL MOUNT**

1 Dual screw mounting provides stability when securing to the wall

2 Supports speakers Up to 7kg / 15.4lbs

3 Swivel feature makes for precise direction of sound

Specifications:

Speaker Weight: 7kg / 15.4lbs

Height: 20cm / 7.87in

Master Carton: 12

Retail Box Size: 25 x 13 x 16.2cm

Master Carton Size: 51.5 x 41 x 34.5cm

Master Carton Weight: 15kg / 18.1lbs

UPC: 810054150060

The MSM001-S5 is a speaker wall mount that provides custom adjustments and is compatible with the Sonos Play 5. It provides a secure and easy to install system. Featuring dual screw mounting for stability when securing to the wall. Made with the consumer in mind, the MSM001 comes with an easy to follow installation / user manual.