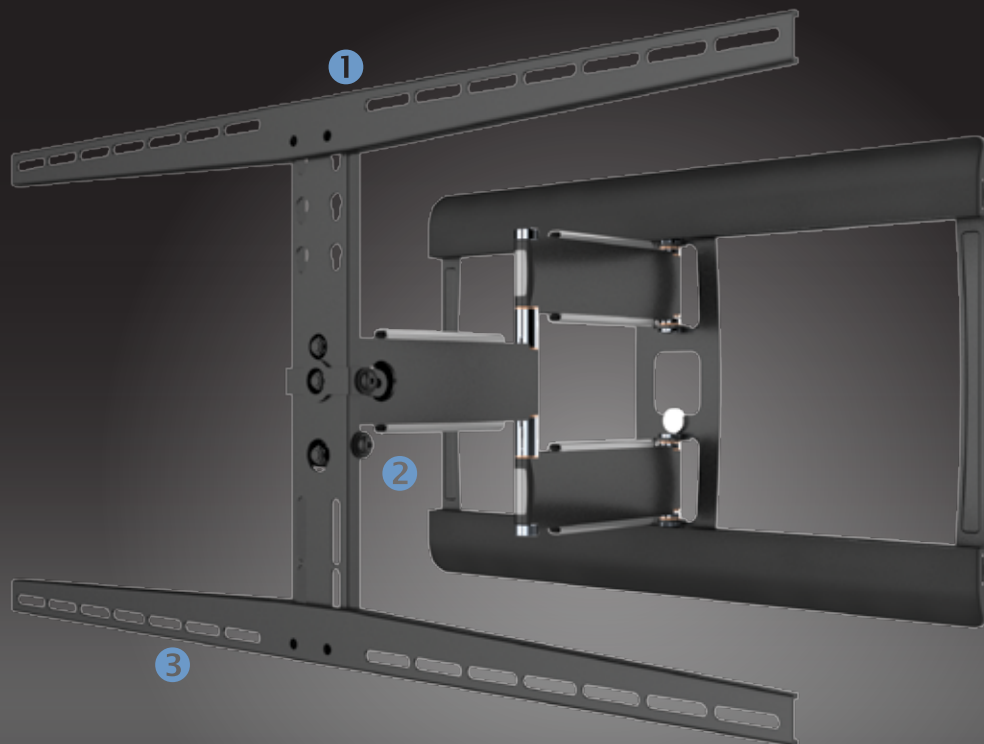


LARGE FULL MOTION MOUNT

UPC: 858181007130

MSRP: --

**1** Ultra low-profile design.**2** Locking mechanism**3** All metal construction.

SPECIFICATIONS

tv weight/size: 120lbs/50"-86"

distance from wall: 1.9"

VESA: 800 x 400

pieces in master carton: 2

retail box dimensions: 34.3" x 18.6" x 3.0"

retail box weight: 11.9 lbs

master carton dimensions: 20.1" x 14.6" x 13.2"

master carton weight: 23.8 lbs

An ultra low-profile mounting solution that places the TV just 1.9" or less from the wall. Solid all-metal construction provides stability and peace of mind. A built-in locking mechanism allows for additional security. With the consumer in mind the MSAL comes with all hardware and a bonus bubble level for quick and easy installation.