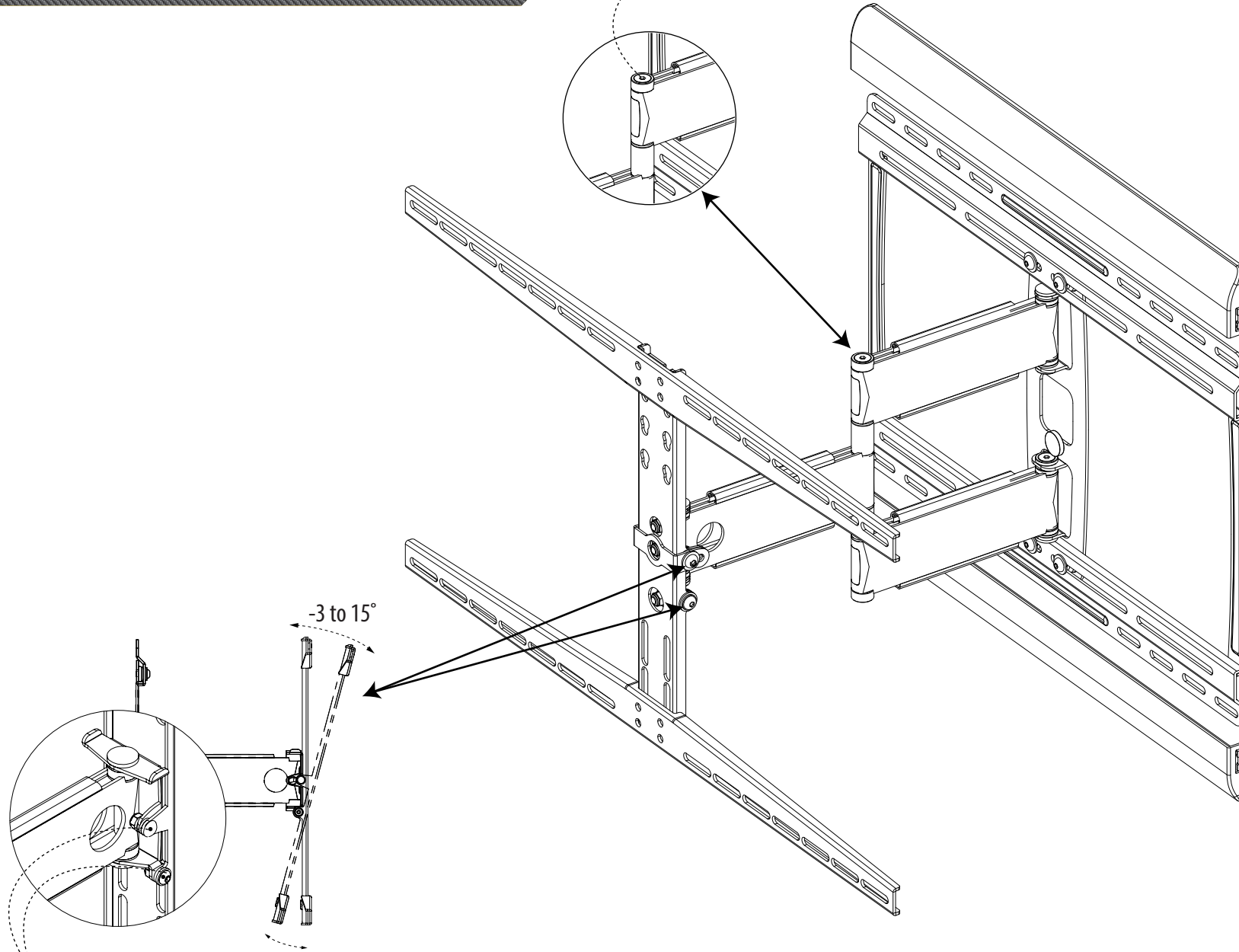


Adjust pivot/rotation by tightening or loosening these points on top and bottom of the joint.



Adjust tilt by tightening or loosening these bolts, on both sides.