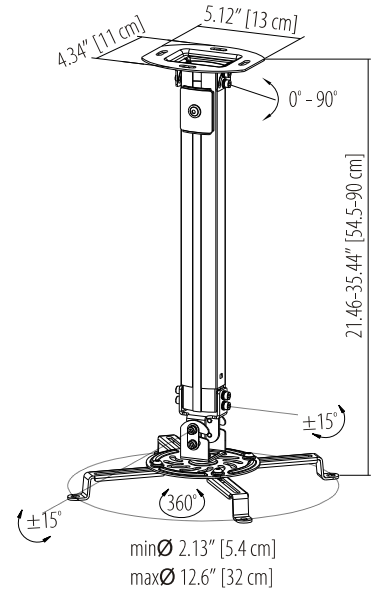
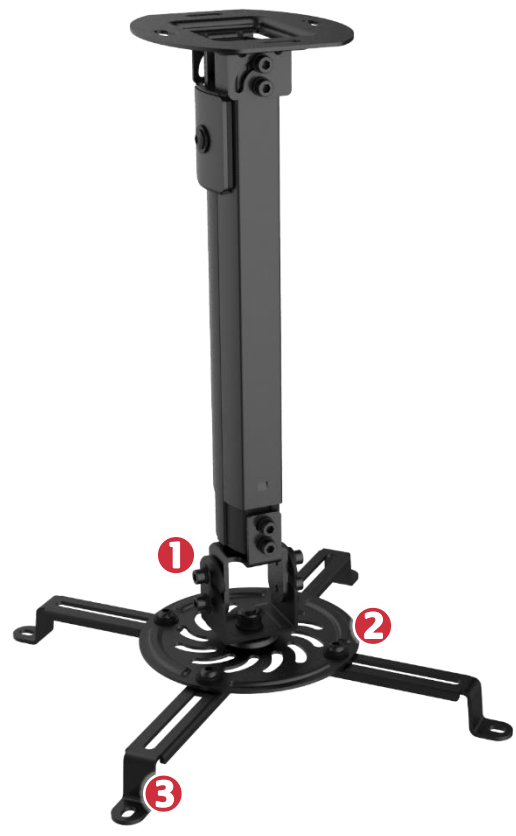


# EXTENDED PROJECTOR MOUNT

UPC: 854574005714



**1** Tilt and swivel joint

**2** 360° rotation

**3** Universal adapter plate

## SPECIFICATIONS

- projector weight: 13 kg
- extension: 54.5 – 90 cm
- tilt: -15° to 15°
- swivel: 360°
- pieces in master carton: 10
- retail box dimensions: 50.5 x 14.5 x 8.5 cm
- retail box weight: 1.6 kg
- master carton dimensions:
- master carton weight: 17 kg

A low profile projector mount that can be mounted on both flat and angled ceilings. The projector can be tilted in two directions and rotated a full 360° for the perfect projection angle. Extension brackets are included to accommodate most projectors. With the consumer in mind the MUP comes with all hardware and incorporates features that make for easy installation.