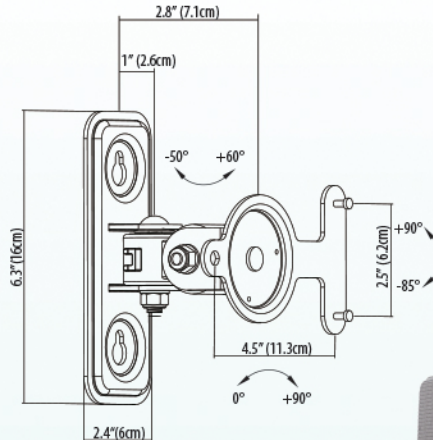


Speaker Wall Mount



1 Flexible Support Arm

2 Tilt/Rotation Pivot

3 Solid All Metal Construction

Specifications

Speaker Weight: **2.6kg**

Depth: **7cm**

Tilt: **+90° to -85°**

Swivel: **+60° to -50°**

Rotation: **+90°**

Pieces in Master Carton: **20**

Retail Box Size: **17.5 x 11 x 9cm**

Retail Box Weight: **0.8kg**

Master Carton Size: **59 x 20 x 20cm**

Master Carton Weight: **8.2kg**

A low-profile speaker mount that sits just 7cm (2.8") from the wall, the MSB02E-B works with most wall surfaces. The tilting and rotational pivots allow for custom adjustments and the flexible support arm grants compatibility with a wide range of speaker brands. A solid, full metal construction with an integrated cable management system keeps cords hidden and your speakers secure in place. Made with the consumer in mind, the MSB02E-B comes with all hardware and an easy to follow installation/user manual.