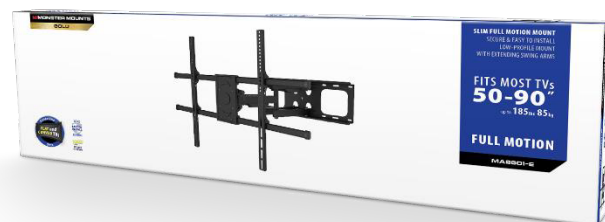
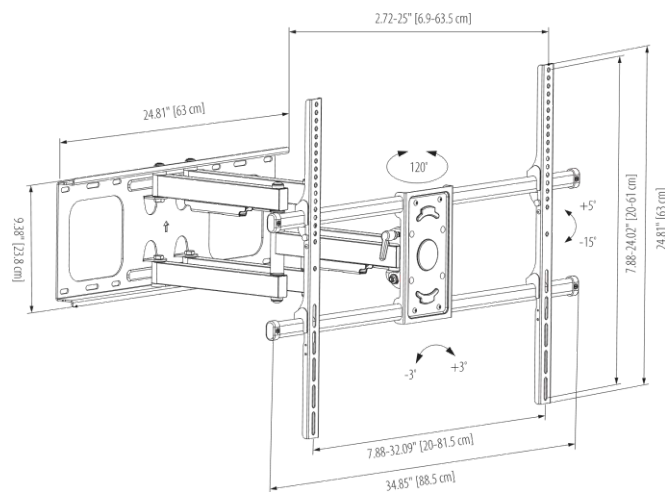
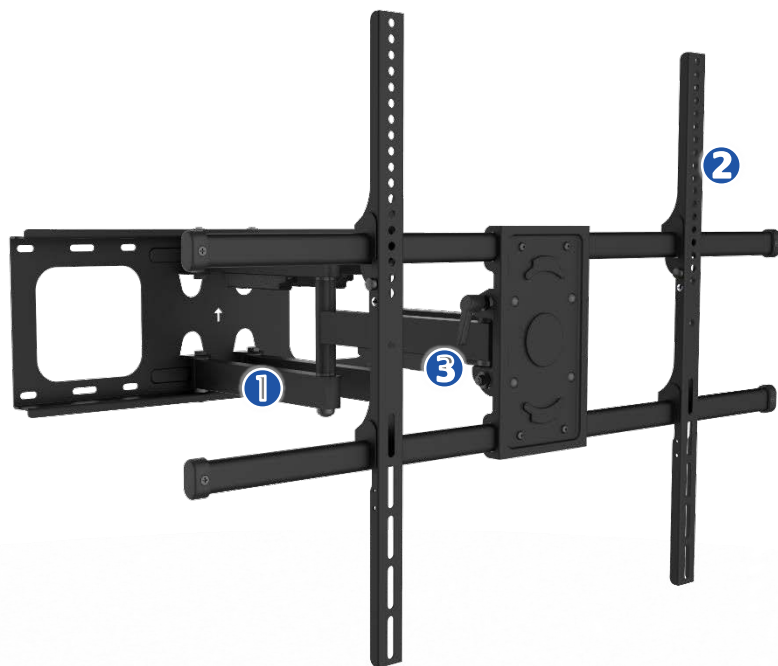


EXTRA LARGE FULL MOTION MOUNT

UPC: 854574005943



- ① Fully articulating extension arm
- ② Aluminum extrusion construction
- ③ Full cable management

SPECIFICATIONS

- tv weight/size: 85 kg / 50 – 90"
- extension: 6.9 – 63.5 cm
- tilt: -15° to 5°
- VESA: 800 x 600
- pieces in master carton: 2
- retail box dimensions: 92 x 28.8 x 7.3 cm
- retail box weight: 12.6 kg
- master carton dimensions: 93.5 x 30.5 x 16.5 cm
- master carton weight: 25.7 kg

A full motion mounting solution to provide an optimal viewing experience from any room position. Flat and curved TVs can be extended away from the wall, and the screen angle adjusted horizontally and vertically. The modern design of the articulating arms are constructed from high quality aluminum extrusion that is durable yet aesthetically pleasing. With the consumer in mind the MA8601-E comes fully assembled and incorporates features that make for easy installation.