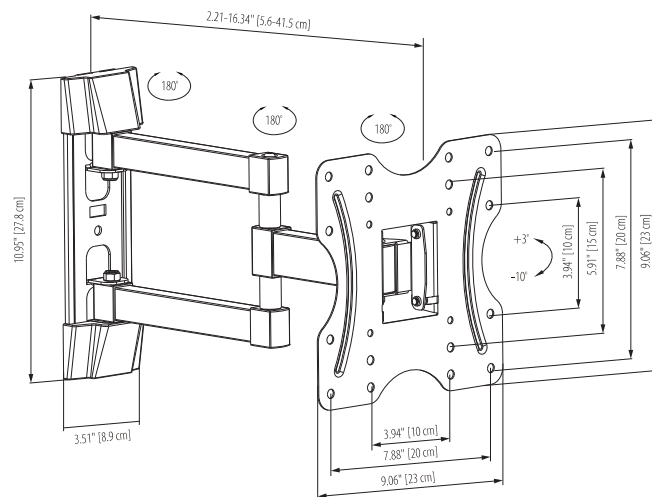
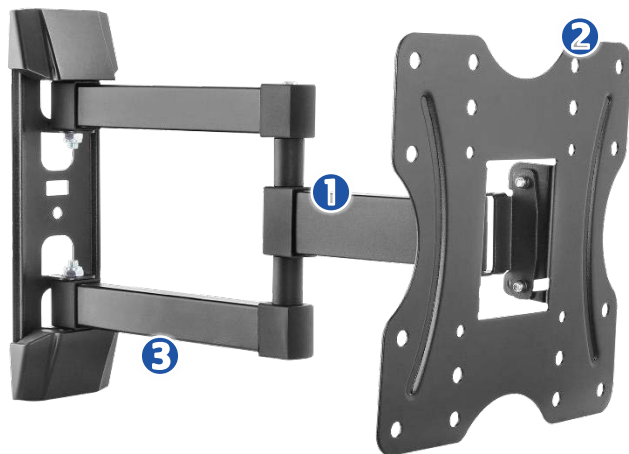


# SMALL FULL MOTION MOUNT

UPC: 858181007048



- ① Fully articulating extension arm
- ② Aluminum extrusion construction
- ③ Full cable management

## SPECIFICATIONS

- tv weight/size: 25 kg / 23 - 40"
- extension: 5.6 – 41.5 cm
- tilt: -3° to 10°
- VESA: 200 x 200
- pieces in master carton: 8
- retail box dimensions: 29.5 x 27.8 x 5.8 cm
- retail box weight: 2.3 kg
- master carton dimensions: 57.5 x 30 x 25 cm
- master carton weight: 19.5 kg

A full motion mounting solution to provide an optimal viewing experience from any room position. The TV can be extended away from the wall, and the screen angle adjusted horizontally and vertically. The modern design of the articulating arms are constructed from high quality aluminum extrusion that is durable yet aesthetically pleasing. With the consumer in mind the MA2212-E comes fully assembled and incorporates features that make for easy installation.