

MSPM & MSAM

User's Manual

/ Mounting Template

Up to 80 lbs / 36 kg

Included Mounting Hardware

- | | |
|------------------------------|--------------------|
| 1. Mount (MSPM or MSAM) | (x1) |
| 2. M4 x 10, 15 & 25 mm bolts | (x4) |
| 3. M5 x 10, 15 & 25 mm bolts | (x4) |
| 4. M6 x 10, 15 & 25 mm bolts | (x4) |
| 5. M8 x 10, 15 & 25 mm bolts | (x4) |
| 6. Rectangular washers | (x4) |
| 7. Concrete anchors | SPM (x4), SAM (x2) |
| 8. Round washers | SPM (x4), SAM (x2) |
| 9. 5/16" lag bolts | SPM (x4), SAM (x2) |
| 10. Mounting template | (x1) |
| 11. Allen key | (x2) |
| 12. Wrench | (x1) |

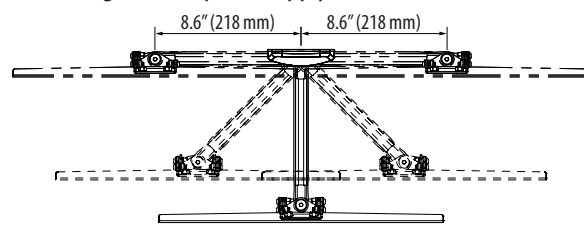
Included Mounting Hardware (For Curved LCD/LED TV and SAMSUNG TV)

- | | |
|---------------------------|------|
| 1. M8 x 30 bolts | (x4) |
| 2. M8x 50 bolts | (x4) |
| 3. Ø15 x Ø8xØ5 mm spacer | (x8) |
| 4. Ø15 x Ø8xØ15 mm spacer | (x8) |

You Will Need

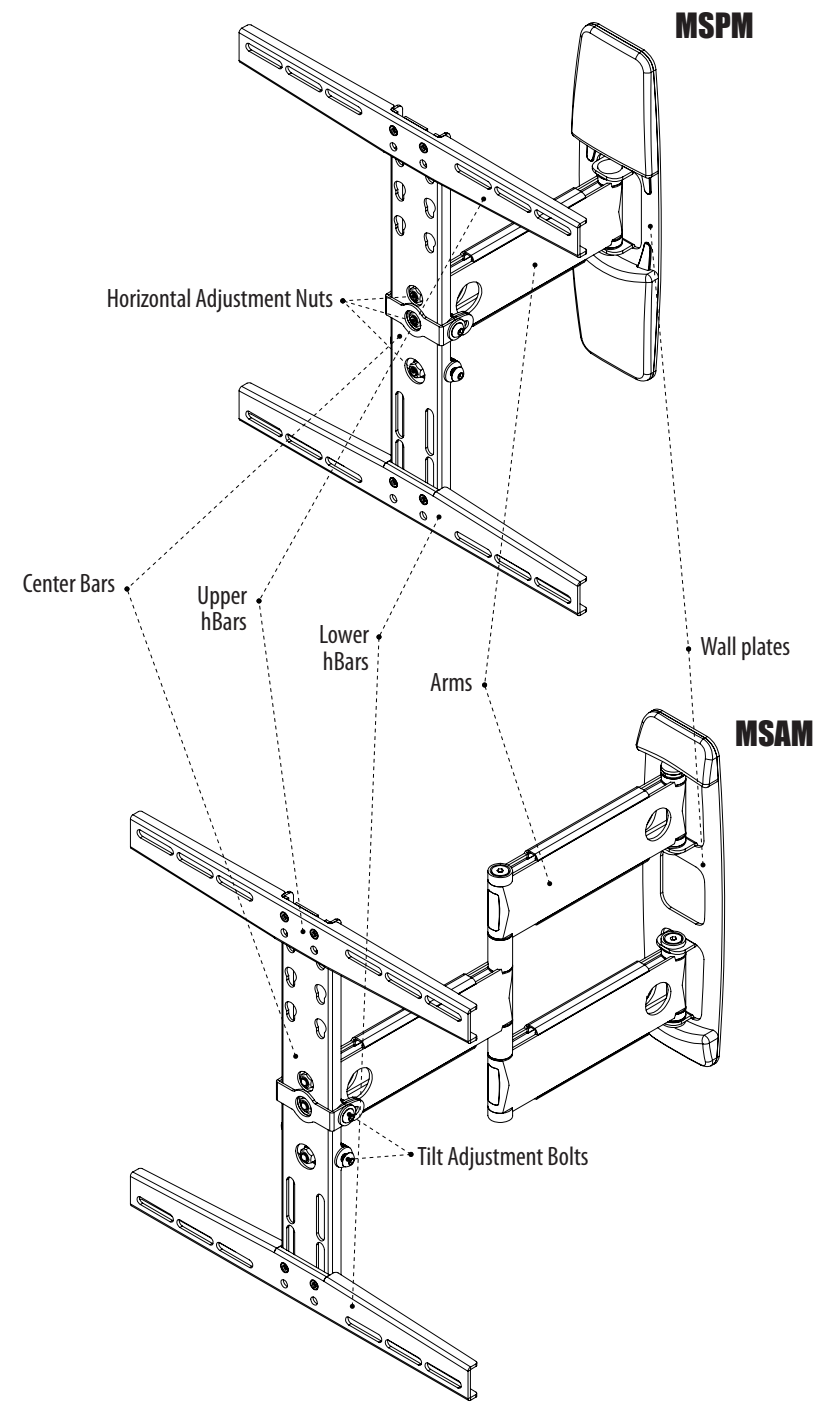
- Bubble level
- Stud finder
- Marker
- Drill
- 3/16" (wood) or 1/2" (concrete) drill bit
- Hammer
- Wrench

*MSPM used in diagrams, steps also apply to MSAM



*Important

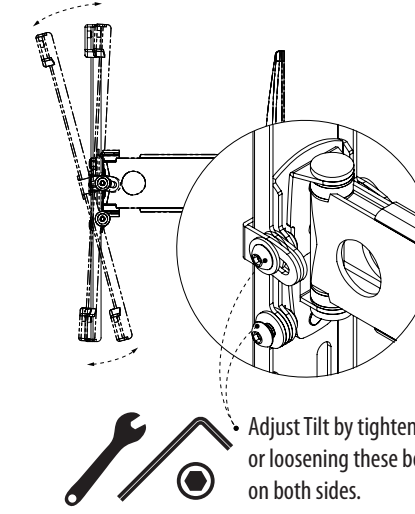
Due to MSPM's nature, the center of your TV will only be on the center of the wall plate when the mount is fully extended; otherwise it will be offset to the right or left up to 8.6" (218mm) when flat to the wall. MSAM will fold back to the center when flat to the wall (no offset).



Tilting

Gently pull the top of your TV while pushing the bottom to the desired position up to 15°. Do the opposite to tilt up.

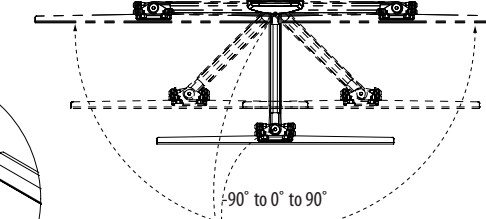
15° to -3°



Adjust Tilt by tightening or loosening these bolts, on both sides.

Panning

Gently move your TV from side to side until is flush to the wall or completely extended at 90°



Adjust arms by tightening or loosening bolts on articulations. Don't remove bolts from arms, TV may fall down and somebody may get hurt.

Disclaimer

Monster Mounts intends to make this manual accurate and complete, however, Monster Mounts makes no claim that the information contained herein covers all details, conditions or variations, nor does it provide for every possible contingency in connection with the installation or use of this product. The information contained in this document is subject to change without notice or obligation of any kind. Monster Mounts makes no representation of warranty, expressed or implied, regarding the information contained herein. Monster Mounts assumes no responsibility for accuracy, completeness or sufficiency of the information contained in this document.

Warnings & Cautions

IT IS HIGHLY RECOMMENDED THAT THIS PRODUCT BE INSTALLED BY A PROFESSIONAL. PLEASE REVIEW THIS INSTRUCTION MANUAL COMPLETELY BEFORE STARTING THE INSTALLATION PROCESS.

WARNING: A WARNING alerts you to the possibility of serious injury or death if you do not follow the instructions.

CAUTION: A CAUTION alerts you to the possibility of damage or destruction of equipment if you do not follow the corresponding instruction.

WARNING: Improper installation can result in serious personal injury! Make sure that the structural members can support a weight factor five times the total weight of the equipment. If not, reinforce the structure before starting the installation.

WARNING: Be aware also of the potential for personal injury or damage to the unit if it is not adequately mounted.

WARNING: The installer is responsible for verifying that the wall or ceiling to which the mount is anchored will safely support the combined load of all attached components or other equipment.

WARNING: The weight of the display placed on the mount must not exceed the maximum load capacity of the mounts.

WARNING: Watch for pinch points. Do not put your fingers between movable parts.

WARNING: Make sure the mount and brackets are correctly oriented.

CAUTION: Check the unit for shipping damage before you begin the installation.

For more information, visit:
www.monstermounts.com

Monster Mounts™ name, logo and model numbers are property of Monster Mounts.

© Monster Mounts™

AUM178 v1.0

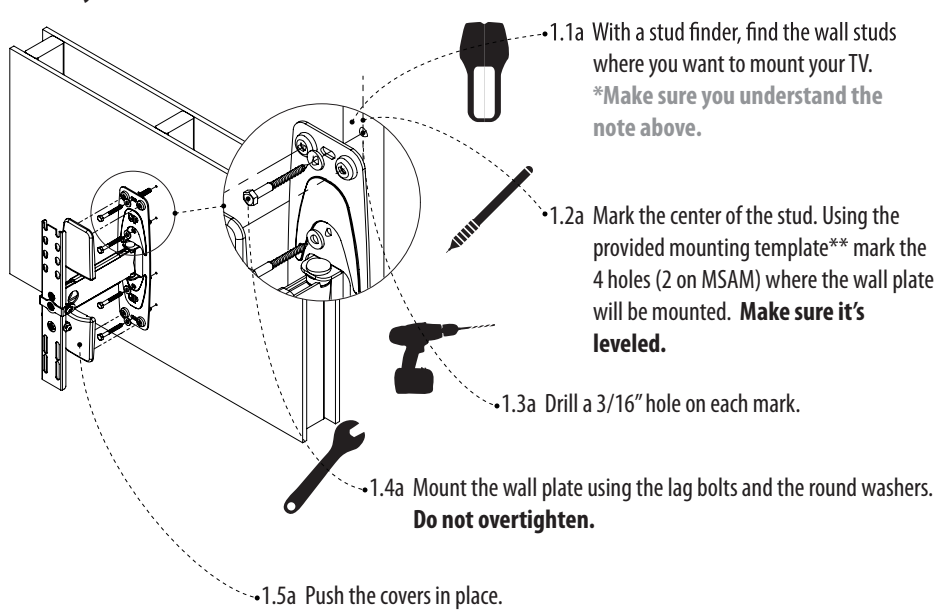
MONSTER MOUNTS

**MSPM & MSAM mounting template

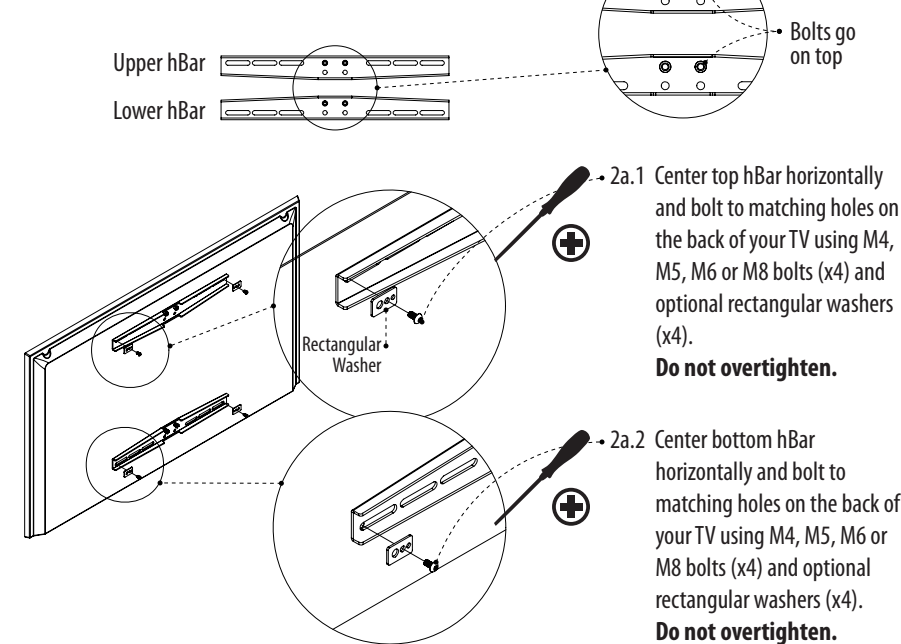
Cut along the dotted line and detach from manual. You can use masking tape (one that won't damage your wall) to keep it in place. Make sure it is leveled.

MSPM Only

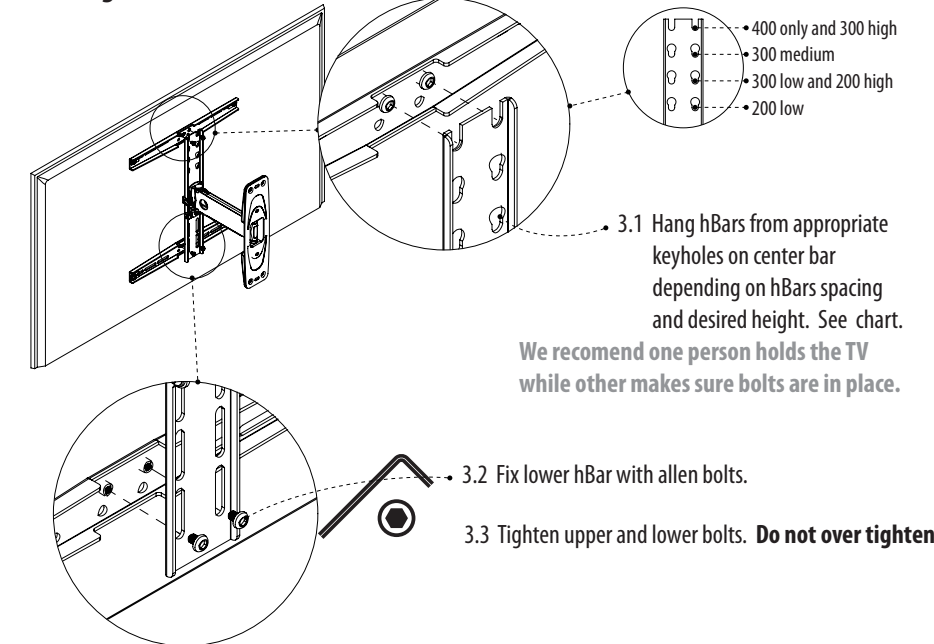
1a. Drywall Installation



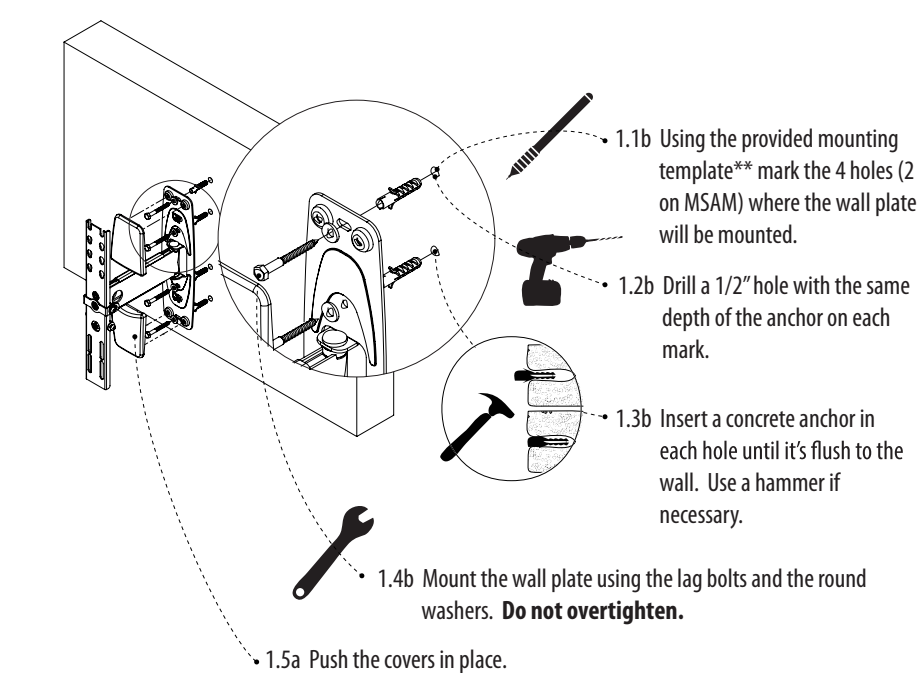
2a. Fix hBars to TV



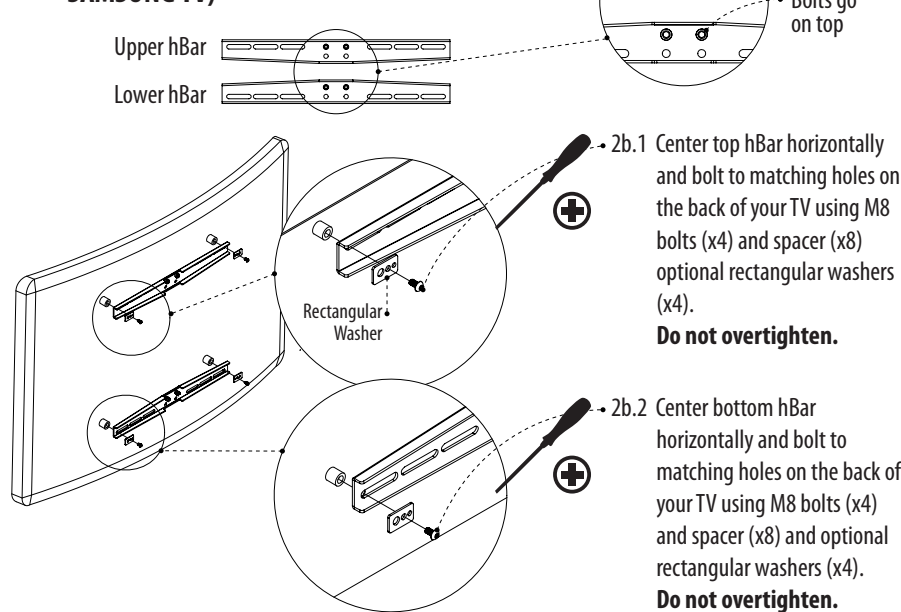
3. Hang TV from Arm



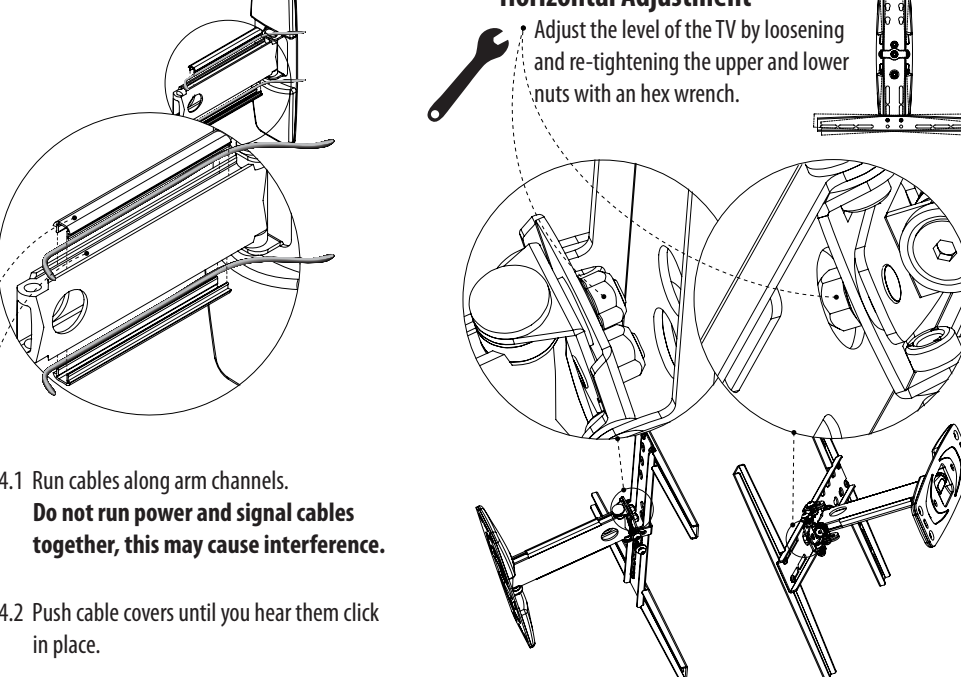
1b. Concrete Installation



2b. Fix hBars to TV (For Curved LCD/LED TV and SAMSUNG TV)



4. Conceal Cables



Horizontal Adjustment

Adjust the level of the TV by loosening and re-tightening the upper and lower nuts with an hex wrench.

